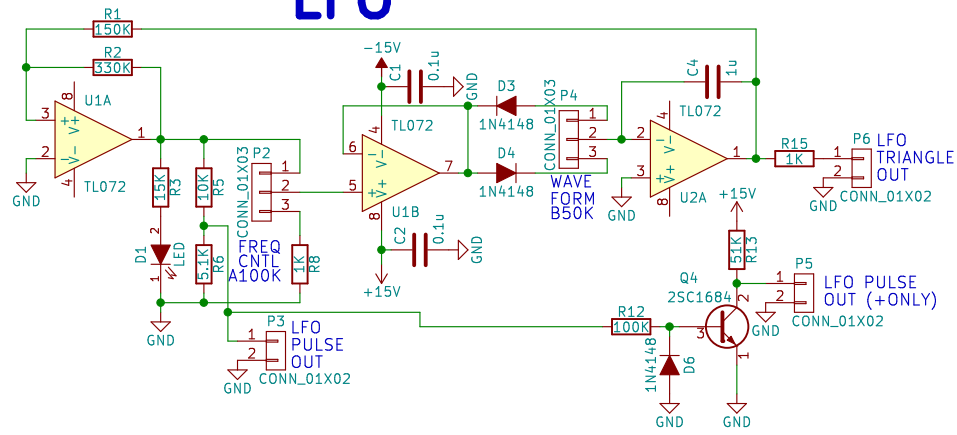
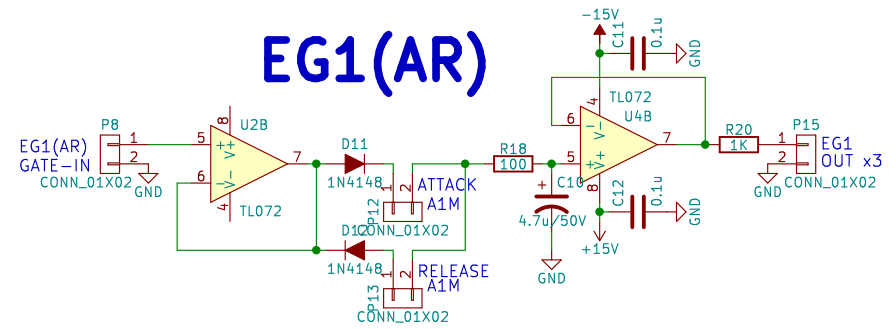


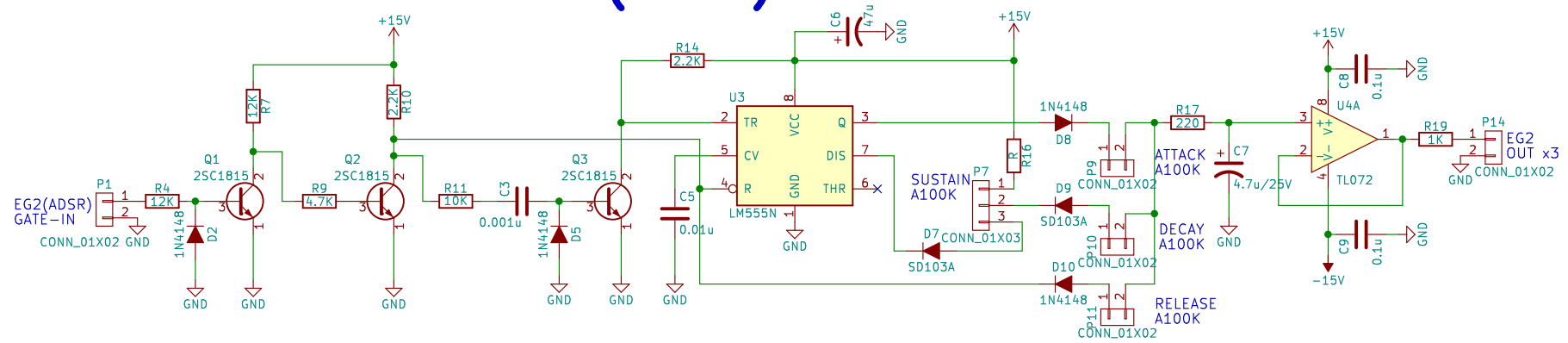
# LFO



# EG1(AR)



# EG2(ADSR)



Suwa Koubou

Sheet: /  
File: LFO\_EG.sch

**Title: Analog Synthesizer LFO EG1 EG2**

Size: A4  
KiCad E.D.A. eeschema 4.0.1-stable

Date:  
Rev:  
Id: 1/1