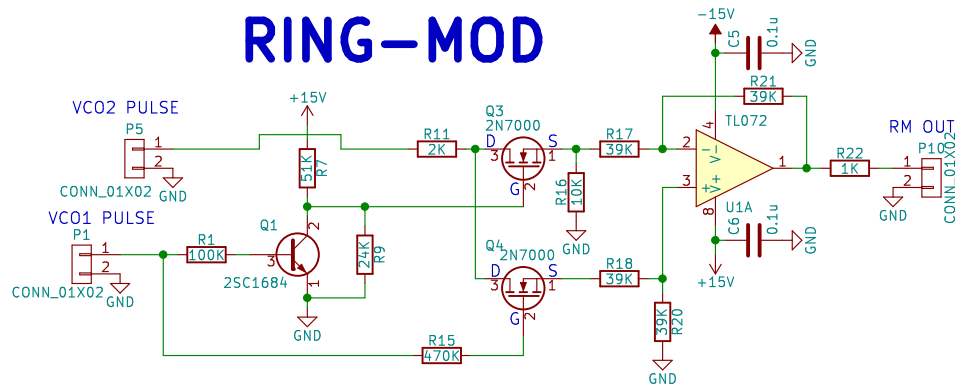
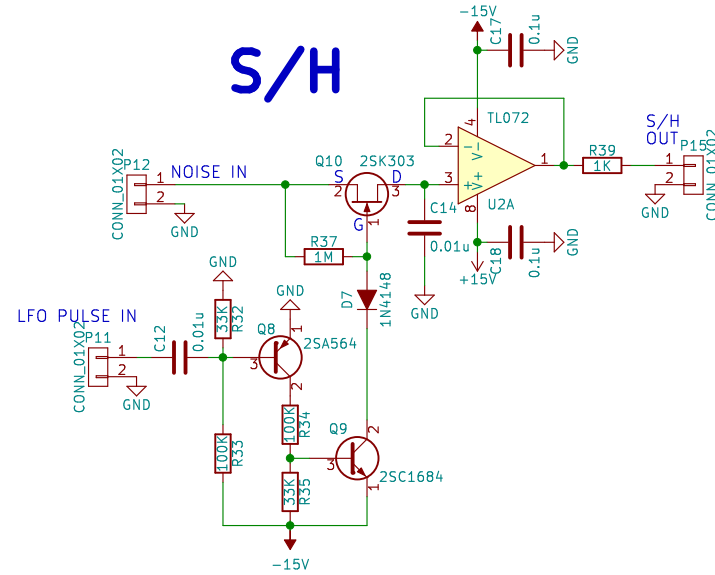


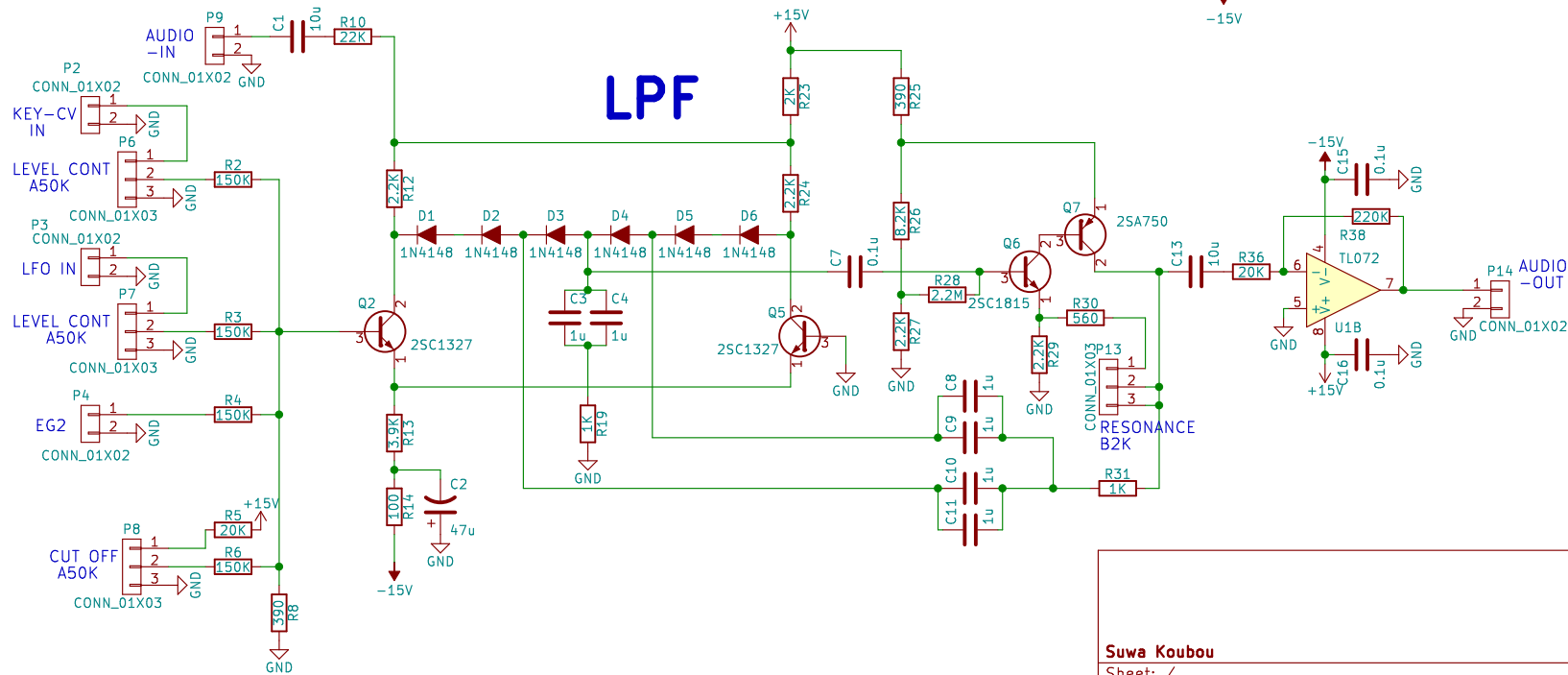
RING-MOD



S/H



LPF



Suwa Koubou

Sheet: /
File: VCF_RM_SH.sch

Title: Analog Synthesizer VCF RM S/H

Size: A4 Date:
KiCad E.D.A. eeschema 4.0.1-stable

Rev:
Id: 1/1