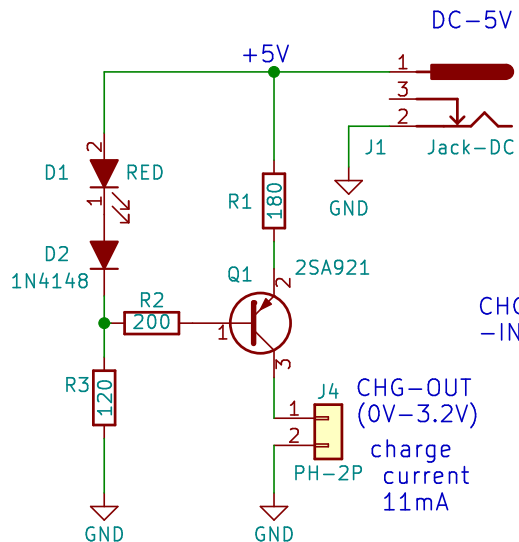
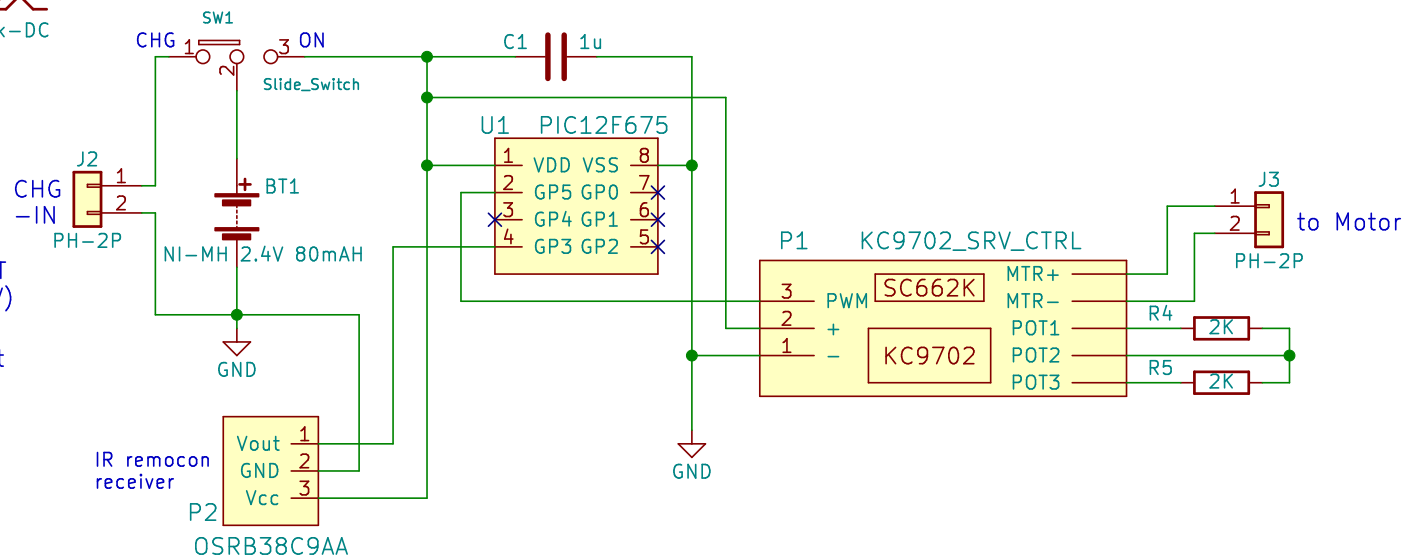


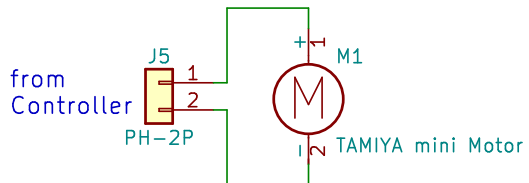
Battery Charger for NI-MH 2.4V 80mAH



DC Motor Controller



KETTEN KARFTRAD



Suwa-Koubou

Sheet: /
File: KETTENKRAFTRAD.sch

Title: Motor Controller for KETTENKRAFTRAD

Size: User Date: 2021-05-29
KiCad E.D.A. kicad 4.0.7

Rev:
Id: 1/1